

# DATA SHEET

For a complete data sheet, please also download:

- The IC04 LOCMOS HE4000B Logic Family Specifications HEF, HEC
- The IC04 LOCMOS HE4000B Logic Package Outlines/Information HEF, HEC

## HEF4011B

### gates

### Quadruple 2-input NAND gate

Product specification  
File under Integrated Circuits, IC04

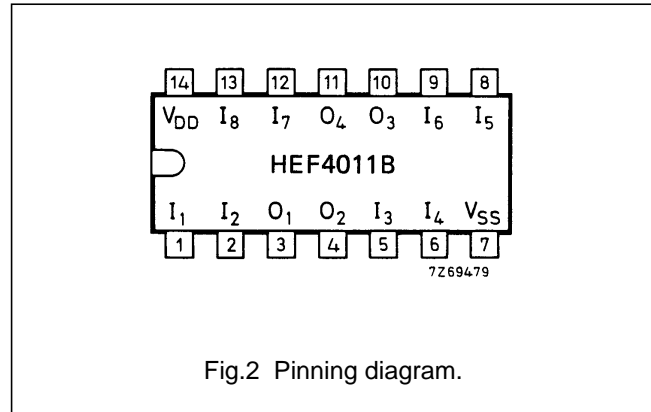
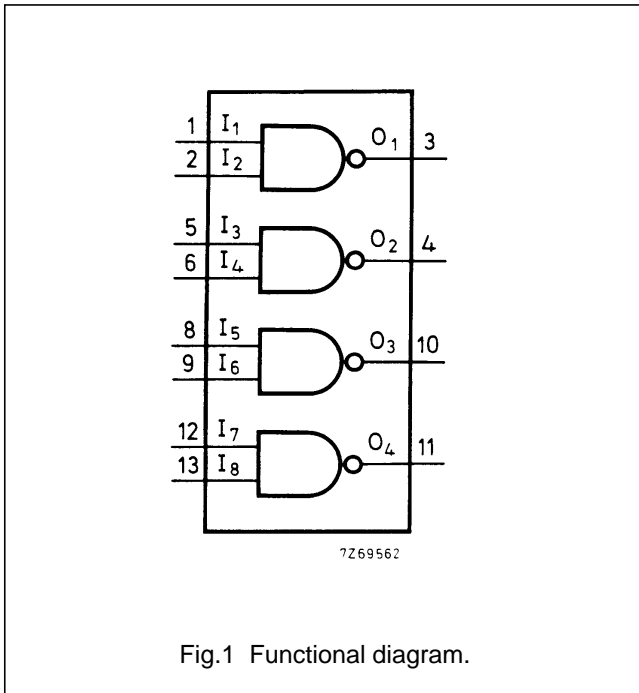
January 1995

# Quadruple 2-input NAND gate

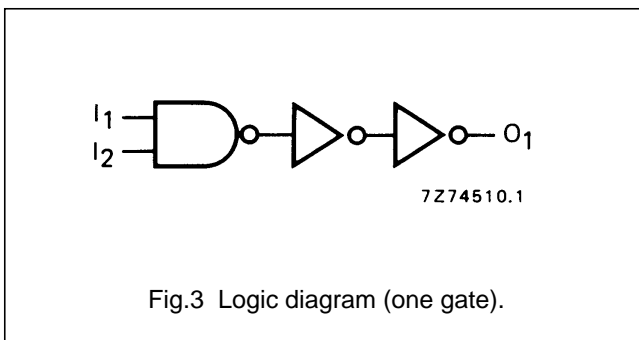
# HEF4011B gates

### DESCRIPTION

The HEF4011B provides the positive quadruple 2-input NAND function. The outputs are fully buffered for highest noise immunity and pattern insensitivity of output impedance.



- HEF4011BP(N): 14-lead DIL; plastic (SOT27-1)
  - HEF4011BD(F): 14-lead DIL; ceramic (cerdip) (SOT73)
  - HEF4011BT(D): 14-lead SO; plastic (SOT108-1)
- ( ): Package Designator North America



### FAMILY DATA, I<sub>DD</sub> LIMITS category GATES

See Family Specifications

Quadruple 2-input NAND gate

HEF4011B  
gates

**AC CHARACTERISTICS**

$V_{SS} = 0\text{ V}$ ;  $T_{amb} = 25\text{ °C}$ ;  $C_L = 50\text{ pF}$ ; input transition times  $\leq 20\text{ ns}$

	$V_{DD}$ V	SYMBOL	TYP	MAX		TYPICAL EXTRAPOLATION FORMULA
Propagation delays $I_n \rightarrow O_n$	5	$t_{PHL}; t_{PLH}$	55	110	ns	$28\text{ ns} + (0,55\text{ ns/pF}) C_L$
	10		25	45	ns	$14\text{ ns} + (0,23\text{ ns/pF}) C_L$
	15		20	35	ns	$12\text{ ns} + (0,16\text{ ns/pF}) C_L$
Output transition times HIGH to LOW	5	$t_{THL}$	60	120	ns	$10\text{ ns} + (1,0\text{ ns/pF}) C_L$
	10		30	60	ns	$9\text{ ns} + (0,42\text{ ns/pF}) C_L$
	15		20	40	ns	$6\text{ ns} + (0,28\text{ ns/pF}) C_L$
LOW to HIGH	5	$t_{TLH}$	60	120	ns	$10\text{ ns} + (1,0\text{ ns/pF}) C_L$
	10		30	60	ns	$9\text{ ns} + (0,42\text{ ns/pF}) C_L$
	15		20	40	ns	$6\text{ ns} + (0,28\text{ ns/pF}) C_L$

	$V_{DD}$ V	TYPICAL FORMULA FOR P ( $\mu\text{W}$ )	
Dynamic power dissipation per package (P)	5	$1300 f_i + \sum (f_o C_L) \times V_{DD}^2$	where $f_i$ = input freq. (MHz) $f_o$ = output freq. (MHz) $C_L$ = load capacitance (pF) $\sum (f_o C_L)$ = sum of outputs $V_{DD}$ = supply voltage (V)
	10	$6000 f_i + \sum (f_o C_L) \times V_{DD}^2$	
	15	$20\ 100 f_i + \sum (f_o C_L) \times V_{DD}^2$	

This datasheet has been download from:

[www.datasheetcatalog.com](http://www.datasheetcatalog.com)

Datasheets for electronics components.